

MOTOARE ASINCRONE TRIFAZICE

Total inchise, ventilatie externa, rotor in forma de colivie de veverita. Standard UNEL-IEC

TIP MOTOR TYPE MOTOR	kW (Pm)	CARACTERISTICI DE EXERCITIU LA PUTERE NOMINALA CHARACTERISTICS AT RATED OUTPUT						CARACTERISTICI PENTRU INSERTIE DIRECTA CHARACTER WITH DIRECT-ON- LINE STARTING			Jm kg m ²	GREUTA TE WEIGHT B3 kg
		Giri-1' rpm (n)	EFICIENȚA EFFICIENCY	η%	cos φ	In-A 400 V	Cs Cn	Is In	C max Cn			
TM63A	2	0.18	2760	/	59	0.68	0.65	2.6	4.6	2.8	0.00023	4.2
TM63B	2	0.25	2750	/	64	0.75	0.75	2.6	4.6	3	0.00023	4.4
TM63C	2	0.37	2775	/	80	0.66	1	2.6	4.6	3	0.00030	4.6
TM71A	2	0.37	2850	/	73	0.67	1.1	2.7	5.4	2.8	0.0004	6.2
TM71B	2	0.55	2800	/	79.5	0.86	1.2	2.6	5.2	2.7	0.00045	6.8
TM71C	2	0.75	2830	/	65	0.81	1.85	2.7	5.3	2.6	0.00057	7.2
TM80A	2	0.75	2860	/	77	0.66	2.3	2.1	4.9	2.5	0.00083	8.8
TM80B	2	1.1	2840	2	78	0.71	2.9	2.5	5.7	2.8	0.00097	9.9
TM80C	2	1.5	2880	2	84	0.74	3.2	2.8	6	3	0.0012	10.1
TM90S	2	1.5	2890	2	81	0.79	3.4	3.5	7	3.9	0.0016	12.8
TM90LA	2	2.2	2850	2	81.5	0.8	4.9	3.5	7	3.7	0.0022	14.3
TM90LB	2	3	2850	2	85	0.83	6.25	3.4	6.9	3.6	0.0027	16
TM100SA	2	3	2860	2	83	0.81	6.5	3	6.8	3.6	0.0045	17
TM100SB	2	4	2880	2	85.5	0.79	8.7	3.1	7.4	3.5	0.006	21.5
TM100SC*	2	5.5	2860	2	86	0.8	11.6	3	7	3.4	0.0075	24.5
TM112TA	2	4	2880	2	85.5	0.79	8.7	3.1	7.4	3.5	0.006	22
TM112TB	2	5.5	2880	2	89	0.84	10.8	3.1	7.3	3.5	0.0075	26.5
TM112TC*	2	7.5	2860	2	86	0.82	15.4	3.1	7.3	3.5	0.008	28
TM132TA	2	5.5	2870	2	86	0.77	12	2.6	6.4	2.8	0.016	47
TM132TB	2	7.5	2890	2	87.3	0.81	14.9	2.5	6.6	2.8	0.019	49.5
TM132TC	2	9.2	2890	2	88	0.88	17.2	3.2	6.8	3.4	0.023	57
TM132TD	2	11	2890	2	89	0.84	21.3	3.6	7	4	0.0275	63
TM132TE	2	15	2900	2	91	0.86	27.7	3	7	3.5	0.035	66
TM160TA	2	11	2860	2	88.6	0.8	22.5	3.6	7	4	0.0275	70
TM160TB	2	15	2890	2	91.2	0.88	27.2	3	7	3.5	0.035	74
TM160LPA	2	18.5	2930	2	90.2	0.84	35.5	2.3	6.8	3	0.043	87
TM160LPB	2	22	2930	2	91	0.89	40	2.4	6.8	3	0.051	102
TM180MPA	2	22	2930	2	91	0.89	40	2.4	6.8	3	0.051	103 (B5)
TM180LPB	2	30	2940	2	91.5	0.86	55	2.4	6.8	2.9	0.165	130
TM200LPA	2	30	2940	2	91.5	0.86	55	2.4	6.8	2.9	0.165	135
TM200LPB	2	37	2950	2	92	0.86	68	2.5	7.2	3	0.180	151

TIP MOTOR TYPE MOTOR	kW (Pm)	CARACTERISTICI DE EXERCITIU LA PUTERE NOMINALA CHARACTERISTICS AT RATED OUTPUT						CARACTERISTICI PENTRU INSERTIE DIRECTA CHARACTER WITH DIRECT-ON- LINE STARTING			Jm kg m ²	GREUTA TE WEIGHT B3 kg
		Giri-1' rpm (n)	EFICIENȚA EFFICIENCY	η%	cos φ	In-A 400 V	Cs Cn	Is In	C max Cn			
TM63A	4	0.12	1420	/	60	0.5	0.6	2.2	3.3	2.4	0.00025	4.1
TM63B	4	0.18	1400	/	63	0.56	0.75	2.5	3.2	2.7	0.00026	4.3
TM63C	4	0.25	1390	/	59	0.59	1.04	2.5	3.1	2.7	0.0004	5
TM71A	4	0.25	1430	/	74	0.59	0.85	2	3.8	2.1	0.0005	5.7
TM71B	4	0.37	1410	/	76	0.72	1	2	4	2.1	0.0006	6.6
TM71C	4	0.55	1390	/	73.5	0.64	1.7	2	4.2	2.1	0.0007	7.2
TM80A	4	0.55	1400	/	61	0.77	1.7	2.5	3.7	2.6	0.0013	9
TM80B	4	0.75	1410	/	78.5	0.69	2	2.5	4.7	2.6	0.0016	9.9
TM80C	4	1.1	1390	2	79	0.72	2.8	2.5	4.9	2.6	0.0019	10.8
TM90S	4	1.1	1410	2	76.5	0.79	2.65	2.6	5	2.7	0.0033	13.7
TM90LA	4	1.5	1420	2	78.8	0.79	3.5	2.6	5.5	2.8	0.004	15.3
TM90LB	4	1.84	1400	2	80	0.8	4.15	2.6	5.5	2.8	0.0048	16.5
TM100SA	4	2.2	1420	2	82	0.76	5.2	2.4	5.4	2.6	0.0074	17.5
TM100SB	4	3	1410	2	83.5	0.76	6.9	2.3	5.9	2.5	0.0098	20.5
TM112T	4	4	1420	2	84	0.77	8.7	2.5	5.9	2.5	0.013	27
TM112MB	4	5.5	1410	2	84.3	0.8	12.1	2.5	6	2.8	0.0122	30.5
TM132TA	4	5.5	1430	2	87	0.82	11.2	2.5	6.2	2.9	0.0238	50
TM132TB	4	7.5	1430	2	87.5	0.8	15.6	2.5	6.2	3.1	0.03	56
TM132TC	4	9.2	1440	2	88	0.75	20.3	2.5	6.2	2.7	0.0338	63
TM160TA	4	11	1440	2	89	0.82	22	2.5	6.3	2.6	0.04	72
TM160MPA	4	11	1450	2	90.8	0.8	22	2	5.2	2.1	0.0625	81
TM160LPA	4	15	1450	2	91	0.79	31	2.2	5.8	2.4	0.075	95
TM160LPB	4	18.5	1450	2	91	0.82	36	2.3	6.2	2.5	0.09	112
TM180MPA	4	18.5	1450	2	91	0.82	36	2.3	6.2	2.5	0.09	113 (B5)
TM180LPA	4	22	1465	2	90.7	0.84	42	2.4	6.3	2.5	0.11	130
TM180LPB	4	30	1470	2	91	0.83	58	2.4	6.6	2.8	0.18	148
TM200LPA	4	30	1470	2	91	0.83	58	2.4	6.6	2.8	0.18	150

S.C. Proconsil Grup SRL

TIP MOTOR TYPE MOTOR	kW (Pm)	CARACTERISTICI DE EXERCITIU LA PUTERE NOMINALA CHARACTERISTICS AT RATED OUTPUT				CARACTERISTICI PENTRU INSERTIE DIRECTA CHARACTER WITH DIRECT-ON-LINE STARTING			Jm kKg m ²	GREUTATE WEIGHT B3 kg	
		Giri-1' rpm (n)	$\eta\%$	$\cos \varphi$	In-A 400 V	Cs Cn	Is In	C max Cn			
TM63A	6	0.09	900	39	0.45	0.75	2	3.2	2.2	0.00027	4.2
TM63B	6	0.12	850	42	0.56	0.77	2.2	3.6	2.4	0.0003	4.4
TM71A	6	0.18	930	50	0.52	1	1.7	3	1.8	0.0005	6
TM71B	6	0.25	910	55	0.61	1.08	2	3.2	2.1	0.00055	6.7
TM80A	6	0.37	950	62.5	0.62	1.4	1.6	3.2	1.9	0.0024	9
TM80B	6	0.55	930	71	0.57	2	2.2	3.8	2.3	0.00275	9.7
TM90S	6	0.75	910	69	0.73	2.15	2.2	3.8	2.3	0.00375	13.4
TM90L	6	1.1	930	72.5	0.71	3.12	2.2	3.9	2.3	0.005	16.7
¹⁾ TM100SA	6	1.5	930	78	0.612	4.5	2	4.3	2.4	0.015	20.5
¹⁾ TM112T	6	2.2	930	79	0.61	6.8	2	4.3	2.4	0.015	25
¹⁾ TM132TA	6	3	950	81	0.77	7	2	4.3	2.4	0.03	51.5
¹⁾ TM132TB	6	4	960	83.5	0.74	9.36	2	4.5	2.2	0.038	59
¹⁾ TM132TC	6	5.5	950	83	0.77	12.5	2	4.8	2.2	0.046	63
¹⁾ TM132TTD	6	7.5	950	85	0.78	16.35	2	4.8	2.3	0.053	73
¹⁾ TM160TA	6	7.5	950	85	0.78	16.35	2	4.8	2.3	0.053	75
¹⁾ TM160MPA	6	7.5	930	87	0.76	16.5	2	5	2.3	0.087	85
¹⁾ TM160LPA	6	11	930	83	0.77	25	2.3	5.5	2.5	0.11	103
¹⁾ TM160LPB	6	15	950	88	0.79	31.5	2.3	5.2	2.4	0.13	128
¹⁾ ²⁾ TM180MPA	6	15	950	88	0.79	31.5	2.3	5.2	2.4	0.13	130 (B5)
¹⁾ TM200LA	6	18.5	960	88	0.84	36	2.1	5.2	2.3	0.17	139
¹⁾ TM200LB	6	22	970	89	0.86	41	2.4	5.6	2.4	0.22	148
TM71B	8	0.12	690	48	0.52	0.7	1.4	2	1.5	0.0006	6
TM80A	8	0.18	710	50.5	0.43	1.2	1.5	2.5	1.7	0.0024	9
TM80B	8	0.25	700	56	0.51	1.25	1.5	2.5	1.7	0.00275	10.5
TM90S	8	0.37	680	59.5	0.7	1.3	2	3.5	2.3	0.00375	13.7
TM90LA	8	0.55	710	66	0.58	2.1	2	3.6	2.1	0.005	16.5
TM90LB	8	0.66	700	68	0.64	2.3	2	3.5	2.1	0.0052	16.7
¹⁾ TM100SA	8	0.75	700	70	0.48	3.2	1.9	3.9	2.3	0.0098	24
¹⁾ TM100SB	8	1.1	700	71	0.52	4.2	2	3.9	2.3	0.0125	26.5
¹⁾ TM112M	8	1.5	700	75.5	0.68	4.3	2	4	2.4	0.0168	29.5
¹⁾ TM132TA	8	2.2	720	76.5	0.57	7.35	1.8	4.2	2.1	0.038	52
¹⁾ TM132TB	8	3	710	77	0.61	9.5	1.8	4.2	2	0.046	61
¹⁾ TM132TC	8	4	720	81	0.64	11.2	1.8	4.3	2	0.053	70
¹⁾ TM132TTD	8	5.5	710	81	0.62	15.9	1.8	4.3	2	0.058	79
¹⁾ TM160TA	8	4	720	81	0.64	11.2	1.8	4.3	2	0.053	75
¹⁾ TM160TB	8	5.5	710	81	0.62	15.9	1.8	4.3	2	0.058	81
¹⁾ TM160MPA	8	5.5	710	81	0.63	15.5	1.9	4.3	2.1	0.08	88
¹⁾ TM160LPA	8	7.5	710	82	0.71	18.5	2	4.3	2.1	0.089	105
¹⁾ TM160LPB	8	11	715	87.5	0.72	25	1.9	4.2	2	0.13	129
¹⁾ TM180LPA	8	11	720	86.7	0.74	25	2	4.5	2.2	0.17	135
¹⁾ TM200LPA	8	15	725	87.1	0.74	34	2.1	5	2.3	0.22	148

S.C. Proconsil Grup SRL

1) = model cu picioare fixate prin suruburi, se pot roti la 90°. 2) = model B5. Simboluri: C max = cuplu maxim Cn = cuplu nominal Cs = cuplu de pornire In = curent nominal Is = curent de pornire Jm = moment de inerție.

TIP MOTOR TYPE MOTOR	kW (Pm)	CARACTERISTICI DE EXERCITIU LA PUTERE NOMINALA CHARACTERISTICS AT RATED OUTPUT				CARACTERISTICI PENTRU INSERIE DIRECTA CHARACTER WITH DIRECT-ON-LINE STARTING			Jm kg m ²	GREUTATE WEIGHT B3 kg	
		Giri-1' rpm (n)	η%	cos φ	In-A 400 V	Cs Cn	Is In	C max Cn			
TM63B	4/2	0.18/0.25	1400/2840	48.5/64	0.56/0.63	1/0.94	1.6/1.3	2.8/3.2	1.8/1.5	0.0003	4.2
TM71B	4/2	0.3/0.45	1450/2890	60/59	0.53/0.59	1.4/1.9	1.7/1.4	3.2/4.1	1.9/1.6	0.0006	7
TM80A	4/2	0.6/0.75	1420/2810	61.5/50	0.8/0.76	1.8/2.8	1.8/1.8	4.3/4.3	2/2	0.0016	10
TM80B	4/2	0.75/1.1	1440/2840	73.5/66	0.69/0.66	2.15/3.7	1.8/1.8	4.3/4.6	2/2	0.0022	11
TM90S	4/2	1/1.4	1410/2810	72.5/66	0.78/0.84	2.6/3.7	1.8/1.8	4.8/5	2/2	0.0033	13
TM90L	4/2	1.5/2.2	1420/2800	75/72	0.78/0.83	3.75/5.5	1.8/2	4.5/5.3	2/2.2	0.004	17
1) TM100SA	4/2	1.84/2.5	1430/2880	82/78	0.77/0.72	4/5.4	2.2/2.2	5.2/5.5	2/2.2	0.0074	17.5
1) TM100SB	4/2	2.2/3	1430/2890	82/78	0.78/0.75	5/7.45	1.8/2	5/5.5	2/2.2	0.0098	20.5
1) TM112T	4/2	3/4	1430/2880	83/80	0.76/0.76	6.7/9.4	2.1/2.4	4.5/5	2.2/2.4	0.013	27
1) TM132TA	4/2	4.4/5.5	1440/2900	81/83	0.7/0.88	11.2/10.9	2.4/2.2	7/7	2.6/2.4	0.0245	51
1) TM132TB	4/2	6.1/8	1450/2900	80/81.5	0.64/0.87	17.1/16.1	2.8/2.5	7/7.5	3/2.7	0.04	59
1) TM132TC	4/2	7.4/9.2	1450/2910	87/85	0.76/0.74	16.2/21.2	2.3/2	7/7.5	2.5/2.2	0.065	68
1) TM132TTD	4/2	9/11	1440/2900	86/83	0.79/0.77	19.1/24.7	2.3/2	7/7.5	2.5/2.2	0.065	71
1) TM160T	4/2	9/11	1440/2900	86/83	0.79/0.77	19.1/24.7	2.3/2	7/7.5	2.5/2.2	0.065	73
1) TM160LPA	4/2	12/15	1460/2930	92.5/89.5	0.84/0.87	22.5/28.2	2.3/2	6/6	2.5/2.2	0.075	98
1) TM160LPB	4/2	15/18.5	1460/2920	92/88	0.86/0.87	28/35	2.3/2	5.5/5.5	2.4/2.1	0.09	114
1) 2) TM180MPA	4/2	15/18.5	1460/2920	92/88	0.86/0.87	28/35	2.3/2	5.5/5.5	2.4/2.1	0.09	115 (B5)
TM71B	8/4	0.15/0.38	680/1370	41/67.5	0.62/0.84	0.87/0.72	1.4/1.2	2.2/3.4	1.6/1.4	0.0006	7
TM80A	8/4	0.22/0.37	680/1400	43/68	0.6/0.8	1.25/1	1.5/1.2	2.2/2.7	1.7/1.4	0.0024	9
TM80B	8/4	0.3/0.55	700/1400	54.5/80	0.51/0.81	1.6/1.2	1.8/1.6	2.3/3.5	2/1.8	0.00275	10
TM90S	8/4	0.42/0.8	690/1380	56/72	0.62/0.89	1.75/1.82	2.2/1.6	3.4/4.6	2.4/1.8	0.00375	14
TM90L	8/4	0.59/1.1	700/1400	62/76	0.54/0.86	2.6/2.45	2.6/1.9	3.7/5.1	2.8/2.1	0.005	17
1) TM100S	8/4	0.8/1.6	715/1430	65/82	0.85/0.82	3.3/2.8	2.1/2	3.8/4.6	2/1.8	0.00118	24
1) TM112T	8/4	1/2	710/1420	66/80	0.54/0.86	4/3.8	1.7/1.9	4/5	2/1.9	0.013	27
1) TM112MB	8/4	1.5/3	720/1420	69/84	0.49/0.88	6.4/5.9	2/1.6	4.1/5.3	2.2/1.8	0.018	34
1) TM132TA	8/4	2.06/3.7	720/1420	72/81.5	0.59/0.88	7/7.55	2.5/2.3	4.8/6.5	2.7/2.5	0.032	57
1) TM132TB	8/4	2.06/4.7	700/1460	72.5/85.5	0.64/0.73	6.6/11.6	2.3/2.6	4.7/6.3	2.4/2.6	0.035	59
1) TM132TC	8/4	1.6/4.6	700/1450	74/83	0.64/0.8	4.9/10.1	2.3/2.6	4.7/6.3	2.4/2.6	0.035	59
1) TM132TD	8/4	2.4/4.4	720/1400	72/83	0.56/0.88	8.7/8.8	2.6/2.4	4.9/6.6	2.8/2.6	0.045	61
1) TM132TE	8/4	3/5.2	720/1430	76.5/83.5	0.61/0.88	9.4/10	2.6/2.5	5/7	2.8/2.7	0.087	69
1) TM132TF	8/4	3/6.25	680/1450	76/87	0.69/0.72	9/15.5	2.6/2.6	5.1/7.2	2.8/2.9	0.098	74
1) TM132TG	8/4	2.2/5.9	710/1460	75/86	0.67/0.8	6.3/12.5	2.4/2.4	4.9/7	2.5/2.5	0.098	74
1) TM132TH	8/4	3.7/5.9	720/1420	78.5/86	0.63/0.9	10.9/11.1	2.6/2.5	5.1/7	2.8/2.7	0.11	75
1) TM132TTI	8/4	3.7/7.75	700/1460	77/86	0.7/0.69	10.5/20	2.6/2.5	5.1/7	2.8/2.7	0.14	78
1) TM132TTL	8/4	4.5/7.8	720/1440	79/84	0.63/0.84	13/16	2.6/2.5	5/7	2.8/2.7	0.16	80
1) TM160TA	8/4	3.7/5.9	720/1420	78.5/86	0.63/0.9	10.9/11.1	2.6/2.5	5.1/7	2.8/2.7	0.11	76
1) TM160TB	8/4	4.5/7.8	720/1440	79/84	0.63/0.84	13/16	2.6/2.5	5/7	2.8/2.7	0.16	81
1) TM160TF	8/4	3.7/7.75	700/1460	77/86	0.7/0.69	10.5/20	2.6/2.5	5.1/7	2.8/2.7	0.14	80
1) TM160LPA	8/4	6.5/11	720/1440	82/83	0.65/0.88	17.5/22	2.1/2.2	4.8/6.5	2.2/2.3	0.19	104
1) TM160LPB	8/4	9/15	710/1425	77/81	0.64/0.86	26.7/28.5	2.1/2.2	4.9/6.6	2.2/2.3	0.21	130
1) 2) TM180MPA	8/4	9/15	710/1425	77/81	0.64/0.86	26.7/28.5	2.1/2.2	4.9/6.6	2.2/2.3	0.21	131 (B5)

S.C. Proconsil Grup SRL

	TIP MOTOR TYPE MOTOR	kW (Pm)	CARACTERISTICI DE EXERCITIU LA PUTERE NOMINALA CHARACTERISTICS AT RATED OUTPUT				CARACTERISTICI PENTRU INSERTIE DIRECTA CHARACTER WITH DIRECT-ON-LINE STARTING			Jm kg m ²	GREUTATE WEIGHT B3 kg		
			Giri-1' rpm (n)	η%	cos φ	In-A 400 V	Cs Cn	Is In	C max Cn				
6/4 poli - poles	TM71B	6/4	0.22/0.37	920/1380	56/62	0.59/0.74	1/1.15	1.1/1.5	3.1/3.6	1.3/1.7	0.0006	7	
	TM80B	6/4	0.48/0.66	940/1430	62/63.5	0.58/0.64	1.96/2.35	1.9/1.7	3.1/3.5	2.1/1.9	0.0027	10	
	TM90S	6/4	0.6/0.95	930/1410	63.5/71	0.68/0.8	2/2.43	1.7/1.5	3.1/3.7	1.9/1.7	0.00375	13	
	TM90LA	6/4	0.95/1.3	910/1400	70/76	0.73/0.8	2.7/3.1	1.8/1.9	3.4/4.5	2/2.1	0.005	16.5	
	TM90LB	6/4	1.1/1.5	870/1380	70.5/75	0.76/0.84	3/3.5	1.8/1.9	3.4/4.5	2/2.1	0.005	16.5	
	1) TM100SA	6/4	1.1/1.5	920/1430	73/80	0.62/0.75	3.5/3.7	1.8/1.9	3.8/4.3	2/2.1	0.0074	18.5	
	1) TM100SB	6/4	1.5/2.2	920/1420	73/79.5	0.62/0.76	4.4/5.2	1.9/2	3.5/4.5	2.1/2.2	0.009	22.5	
	1) TM112T	6/4	1.84/3.1	930/1420	83/79	0.75/0.57	5.7/5.8	1.9/1.8	4.1/5.1	2.1/2	0.0013	29.5	
	1) TM132TA	6/4	2.57/4	950/1450	76/80.5	0.56/0.72	8.7/10	1.7/1.5	4.8/6.2	1.9/1.7	0.0238	49	
	1) TM132TB	6/4	3.3/4.4	940/1440	78/81	0.64/0.75	9.5/10.5	1.7/1.5	4.8/6.2	1.9/1.7	0.0238	49	
	1) TM132TC	6/4	3.7/5.9	950/1440	76.5/79	0.62/0.78	11.3/13.9	1.8/1.7	4.8/6.5	2/1.9	0.03	52	
	1) TM132TD	6/4	4.8/7.5	950/1430	82.5/83.5	0.69/0.84	12.2/15.5	2/2.2	5.5/6.5	2.2/2.4	0.038	59	
	1) TM132TTE	6/4	5.9/9	950/1430	82/84	0.69/0.83	15.5/18.4	1.7/1.9	6/6.2	1.9/2.1	0.045	73	
	1) TM160T	6/4	5.9/9	950/1430	82/84	0.69/0.83	15.5/18.4	1.7/1.9	6/6.2	1.9/2.1	0.045	75	
	1000/1500 giri-1' - rpm	TM71B	4/2	0.09/0.45	1450/2890	42/59	0.56/0.59	0.55/1.9	2/1.4	3.4/4.1	2.6/1.6	0.0006	7
TM80A		4/2	0.13/0.75	1420/2810	43/50	0.58/0.76	0.75/2.8	1.9/1.8	3.6/4.3	2.6/2	0.0016	10	
TM80B		4/2	0.17/1.1	1440/2840	45/66	0.58/0.66	0.94/3.7	2.2/1.8	4.4/4.6	3.1/2	0.0022	11	
TM90S		4/2	0.25/1.4	1410/2810	45/66	0.6/0.84	1.34/3.7	2/1.8	4.8/5	2.7/2	0.0033	13	
TM90L		4/2	0.35/2.2	1420/2800	48/72	0.62/0.83	1.55/5.5	2.2/2	5.7/5.3	2.7/2.2	0.004	17	
1) TM100SA		4/2	0.45/2.5	1430/2880	55/78	0.62/0.72	1.9/5.4	2.2/2.2	5/5.5	2.6/2.2	0.0074	17.5	
1) TM100SB		4/2	0.65/3	1430/2890	58/78	0.62/0.75	2.6/7.45	2.3/2	5.9/5.5	3.1/2.2	0.0098	20.5	
1) TM112T		4/2	0.95/4	1430/2880	60/80	0.62/0.76	3.7/9.4	2.2/2.4	7.3/5	3.1/2.4	0.013	27	
1) TM132TA		4/2	1.1/5.5	1440/2900	64/83	0.65/0.88	3.8/10.9	2.2/2.2	8/7	3/2.4	0.0245	51	
1) TM132TB		4/2	1.5/8	1450/2900	65/81.5	0.65/0.87	5.1/16.1	2.3/2.5	8.5/7.5	3/2.7	0.04	59	
1) TM132TC		4/2	1.8/9.2	1450/2910	66/85	0.65/0.74	6.1/21.2	2.2/2	8.8/7.5	3.1/2.2	0.065	68	
1) TM132TTD		4/2	2.3/11	1440/2900	66/83	0.68/0.77	7.4/24.7	1.8/2	7.2/7.5	2.6/2.2	0.065	71	
1) TM160T		4/2	2.3/11	1440/2900	66/83	0.68/0.77	7.4/24.7	1.8/2	7.2/7.5	2.6/2.2	0.065	73	
1500/3000 giri-1' - rpm		1) TM160LPA	4/2	3/15	1460/2930	67/89.5	0.68/0.87	9.5/28.2	2/2	8/6	2.9/2.2	0.075	98
		1) TM160LPB	4/2	4/18.5	1460/2920	67/88	0.68/0.87	12.7/35	2/2	8/5.5	2.9/2.1	0.09	114
	2) TM180MPA	4/2	4/18.5	1460/2920	67/88	0.68/0.87	12.7/35	2/2	8/5.5	3/2.1	0.09	115 (B5)	
	1) TM180LPA	4/2	4.6/22	1460/2900	70/86	0.7/0.87	13.6/42	2.5/2	8/6.5	2.8/2.3	0.11	130	
	1) TM200LPB	4/2	6.5/30	1465/2920	72/88	0.72/0.88	2.3/2.2	8.7/7	8.7/7.0	2.5/2.6	0.19	150	

$$C_n \text{ (Nm)} = \frac{\text{kW}}{\text{Giri-1}' \times \text{rpm}} \times 9550$$

La cerere: Se executa motoare cu 2 bobinaje separate de tip: 6/4 poli – 6/2 poli – 8/6 poli – 8/2 poli cu propriile certificate de verificari.

S.C. Proconsil Grup SRL

TIP MOTOR TYPE MOTOR	kW (Pm)	CARACTERISTICI DE EXERCITIU LA PUTERE NOMINALA CHARACTERISTICS AT RATED OUTPUT				CARACTERISTICI PENTRU INSERTIE DIRECTA CHARACTER WITH DIRECT-ON-LINE STARTING			Jm kg m ²	GREUTATE WEIGHT B3 kg	
		Giri-1' rpm (n)	$\eta\%$	cos ϕ	In-A 400 V	Cs Cn	Is In	C max Cn			
TM90S	8/4	0.25/1.2	690/1380	53/73	0.62/0.81	1.1/3.2	1.6/2.0	2.5/4.5	1.5/2.0	0.00375	14
TM90L	8/4	0.3/1.5	700/1400	55/76	0.65/0.80	1.2/3.6	1.8/2.2	2.7/4.8	1.6/2.2	0.005	17
¹⁾ TM100S	8/4	0.45/2	715/1430	59/73	0.59/0.83	1.9/4.8	1.4/1.8	2.8/4.4	1.6/2.0	0.00118	24
¹⁾ TM100SB2	8/4	0.6/2.7	710/1410	62/77	0.66/0.82	1.3/6.4	1.6/2.0	2.9/5.1	1.8/2.2	0.0012	25.5
¹⁾ TM112T	8/4	0.75/3	710/1420	65/80	0.6/0.8	2.8/7.2	1.8/2.2	3.0/5.9	1.9/2.5	0.013	27
¹⁾ TM132TB	8/4	1/5	725/1460	68/80	0.51/0.81	4.1/11.6	1.4/1.9	3.8/5.8	1.6/2.6	0.025	59
¹⁾ TM132TC	8/4	1.3/6.2	730/1460	71/82	0.5/0.8	5.3/14	1.6/2.2	4.2/6.8	1.7/2.8	0.0300	61
¹⁾ TM132TD	8/4	1.5/7.5	730/1460	72.7/83.5	0.51/0.8	1.5/2.3	4.4/7.1	4.4/7.1	1.8/3.5	0.0338	69
¹⁾ TM160TF	8/4	2.2/10	730/1460	75/84.6	0.53/0.79	8/21	1.8/2.2	3.2/5.6	2.2/2.5	0.040	80
¹⁾ TM160LPA	8/4	2.8/13	730/1465	76.5/86	0.52/0.79	10/27.5	2.2/2.3	3.4/6.0	2.3/2.6	0.075	95
¹⁾ TM160LPB	8/4	3.5/16	730/1465	77.5/86.5	0.53/0.8	12.3/33	1.9/2.4	3.5/6.0	2.5/2.6	0.090	112
²⁾ TM180MPA	8/4	3.5/16	730/1465	77.5/86.5	0.53/0.8	12.3/33	1.9/2.4	3.5/6.0	2.5/2.6	0.090	113 (B5)
¹⁾ TM180LPA	8/4	4.5/18	735/1465	78.2/89.7	0.52/0.82	14.6/35	1.8/2.1	3.7/6.5	2.0/2.5	0.11	130
¹⁾ TM200LPA	8/4	6.2/25	735/1465	83/88.5	0.57/0.83	18.9/49	1.9/2	4/6.3	2.1/2.4	0.21	150
TM80B	6/4	0.1/0.66	940/1430	41/63.5	0.56/0.64	1.1/2.35	1.9/1.7	2.9/3.5	2.9/1.9	0.0027	10
TM90S	6/4	0.25/0.95	930/1410	43/71	0.62/0.8	1.4/2.43	2.2/1.5	4.6/3.7	1.9/1.7	0.00375	13
TM90LB	6/4	0.45/1.5	870/1380	53/75	0.64/0.84	1.9/3.5	2.4/1.9	4.7/4.5	2.2/2.1	0.005	16.5
¹⁾ TM100SB	6/4	0.7/2.2	920/1420	59/79.5	0.66/0.76	2.6/5.2	1.5/2	2.3/4.5	1.9/2.2	0.009	22.5
¹⁾ TM112T	6/4	1/3.1	930/1420	63/79	0.66/0.57	3.5/5.8	1.6/1.8	3.4/5.1	2/2	0.0013	29.5
¹⁾ TM132TB	6/4	1.4/4.4	940/1440	67/81	0.75/0.75	4/10.5	1.6/1.5	4.6/6.2	2.1/1.7	0.0238	49
¹⁾ TM132TC	6/4	2/5.9	950/1440	72.6/79	0.75/0.78	5.3/13.9	1.8/1.7	5.2/6.5	2.1/1.9	0.03	52
¹⁾ TM132TTE	6/4	2.4/9	950/1430	73.1/84	0.79/0.83	9.7/18.4	1.8/1.9	4.6/6.2	1.8/2.1	0.045	73
¹⁾ TM160T	6/4	2.4/9	950/1430	73.1/84	0.79/0.83	9.7/18.4	1.8/1.9	4.6/6.2	1.8/2.1	0.045	75

1) = model cu picioare fixate prin suruburi, se pot roti la 90°.
2) = model B5.

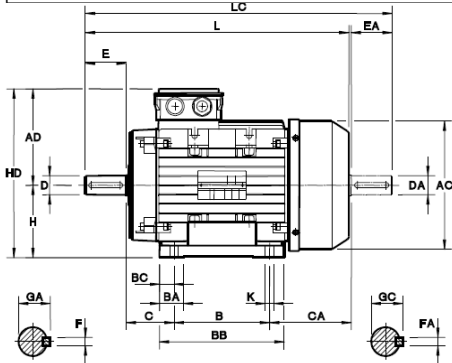
1) = model with feet for motor fixing by screws, feet can rotate each 90°.
2) = model B5.

Simboluri: C max = cuplu maxim
Cn = cuplu nominal
Cs = cuplu de pornire
In = curent nominal
Is = curent de pornire
Jm = moment de inertie

Symbols: C max = pull out torque
Cn = rated torque
Cs = locked rotor torque
In = rated current
Is = locked rotor current
Jm = moment of inertia

MOTOARE ASINCRONE TRIFAZICE DIMENSIUNI : forma B3 (B6-B7-B8-V5-V6)

GABARIT SIZE	A	AA	AB	AC ø	AD	B	BA	BB	BC	C	CA	H	HA	HD	K	K1	L	LC	D DA ø	E EA	F FA	GA GC
TM63	100	22	120	126	93	80	22	101	10.5	40	70	63	7	156	7	11	211	236	11j6	23	4	12.5
TM71	112	26	135	140	102	90	26	114	12	45	81	71	8	173	7	12	244	276	14j6	30	5	16
TM80	125	30	154	159	118	100	30	124	12	50	92	80	12	198	8.5	13	279	322	19j6	40	6	21.5
TM90S	140	30	170	177	120	100	32	130	15	56	104	90	13	210	10	13	306	360	24j6	50	8	27
TM90L	140	30	170	177	120	125	32	155	15	56	103	90	13	210	10	13	330	384	24j6	50	8	27
¹⁾ TM100S	160	37	192	193	142	140	42	183	14	63	129	100	12	242	29.5	12	370	447	28j6	60	8	31
¹⁾ TM112T	190	51	220	193	142	140	42	183	21	70	122	112	15	254	29.5	12	387	452	28j6	60	8	31
¹⁾ TM112M	190	50	229	205	150	140	40	183	27	70	117	112	15	262	26.5	13	382	447	28j6	60	8	31
¹⁾ TM132T	216	44	252	253	185	140/178	46	226	24	89	166/128	132	15	317	12.5	19	469	/	38k6	80	10	41
¹⁾ TM132TT	216	44	252	253	185	140/178	46	226	24	89	166/128	132	15	317	12.5	19	501	/	38k6	80	10	41
¹⁾ TM160T	254	50	294	253	185	210	58	258	24	108	130	160	16	345	14	19	558	/	42k6	110	12	45
¹⁾ ²⁾ TM160M	254	72	318	311	246	210	52	264	27	110	181	160	23	400	15	36	608	/	42k6	110	12	45
¹⁾ ²⁾ TM160L	254	72	318	311	246	254	52	308	27	110	181	160	23	400	15	36	650	/	42k6	110	12	45
¹⁾ TM180L	264	74	344	348	260	279	48	330	25	121	199	180	25	440	15	40	710	/	48k6	110	14	51.5
¹⁾ TM200	317	100	397	348	260	305	48	355	25	133	173	200	25	460	18	40	725	/	55m6	110	16	59

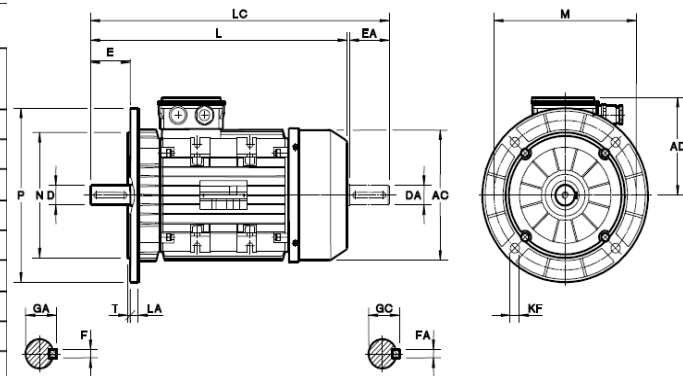


FILET ARBORE SHAFT THREADED	
63	M4
71	M5
80	M6
90S-90L	M8
100S	M10
112T-112M	M10
132T-132TT	M12
160T-160M-160L-180M-180L	M16
200	M20

MOTOARE ASINCRONE TRIFAZICE DIMENSIUNI : forma B5 (V1-V3)

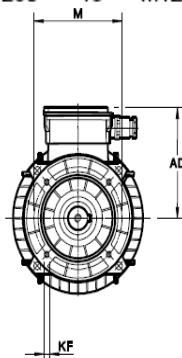
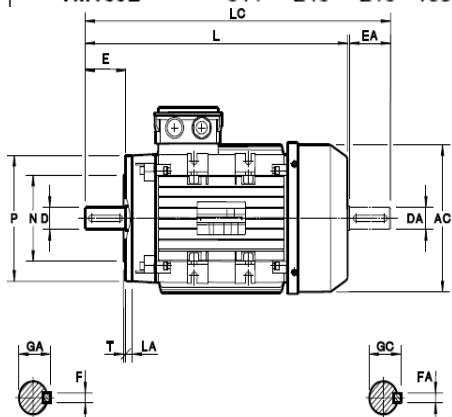
GABARIT SIZE	AC ø	AD	M ø	N ø	P ø	LA	KF	Nr. gauri n° of holes	T	L	LC	D DA ø	E EA	F FA	GA GC
TM63	126	93	115	95 j6	140	8	9.5	4	3	211	236	11 j6	23	4	12.5
TM71	140	102	130	110 j6	160	9	9.5	4	3.5	244	276	14 j6	30	5	16
TM80	159	118	165	130 j6	200	10	11.5	4	3.5	279	322	19 j6	40	6	21.5
TM90S	177	120	165	130 j6	200	10	11.5	4	3.5	306	360	24 j6	50	8	27
TM90L	177	120	165	130 j6	200	10	11.5	4	3.5	330	384	24 j6	50	8	27
TM100S	193	142	215	180 j6	250	12	14	4	4	370	447	28 j6	60	8	31
TM112T	193	142	215	180 j6	250	12	14	4	4	387	452	28 j6	60	8	31
TM112M	205	150	215	180 j6	250	16	14	4	4	382	447	28 j6	60	8	31
TM132T	253	185	265	230 j6	300	16	14	4	4	469	/	38 k6	80	10	41
TM132TT	253	185	265	230 j6	300	16	14	4	4	501	/	38 k6	80	10	41
¹⁾ TM160T	253	185	300	250 h6	350	15	18	4	5	558	/	42 k6	110	12	45
¹⁾ TM160M	311	246	300	250 h6	350	15	18	4	5	608	/	42 k6	110	12	45
¹⁾ TM160L	311	246	300	250 h6	350	15	18	4	5	650	/	42 k6	110	12	45
¹⁾ TM180M	311	246	300	250 h6	350	15	18	4	5	650	/	48 k6	110	14	51.5
¹⁾ TM180L	348	260	300	250 h6	350	20	18	4	5	710	/	48 k6	110	14	51.5
¹⁾ TM200	348	260	350	300h6	400	20	18	4	5	725	/	55m6	110	16	59

FILET ARBORE SHAFT THREADED	
63	M4
71	M5
80	M6
90S-90L	M8
100S	M10
112T-112M	M10
132T-132TT	M12
160T-160M-160L-180M-180L	M16
200	M20



MOTOARE ASINCRONE TRIFAZICE DIMENSIUNI : forma constructiva B14 (V18-V19)

GABARIT SIZE	AC ø	AD	M ø	N ø	P ø	LA	KF	Nr. gauri n° of holes	T	L	LC	D DA ø	E EA	F FA	GA GC
TM63	126	93	75	60 j6	90	8	M5	4	2.5	211	236	11 j6	23	4	12.5
TM71	140	102	85	70 j6	105	8	M6	4	2.5	244	276	14 j6	30	5	16
TM80	159	118	100	80 j6	120	8	M6	4	3	279	322	19 j6	40	6	21.5
TM90S	177	120	115	95 j6	140	10	M8	4	3	306	360	24 j6	50	8	27
TM90L	177	120	115	95 j6	140	10	M8	4	3	330	384	24 j6	50	8	27
TM100S	193	142	130	110 j6	160	15	M8	4	3.5	370	447	28 j6	60	8	31
TM112T	193	142	130	110 j6	160	15	M8	4	3.5	387	452	28 j6	60	8	31
TM112M	205	150	130	110 j6	160	15	M8	4	3.5	382	447	28 j6	60	8	31
TM132T	253	185	165	130 j6	200	16	M10	4	4	469	/	38 k6	80	10	41
TM132TT	253	185	165	130 j6	200	16	M10	4	4	501	/	38 k6	80	10	41
¹⁾ TM160T	253	185	215	180 j6	250	14	M12	4	4	558	/	42 k6	110	12	45
¹⁾ TM160M	311	246	215	180 j6	250	18	M12	4	4	608	/	42 k6	110	12	45
¹⁾ TM160L	311	246	215	180 j6	250	18	M12	4	4	650	/	42 k6	110	12	45



FILET ARBORE SHAFT THREADED	
63	M4
71	M5
80	M6
90S-90L	M8
100S	M10
112T-112M	M10
132T-132TT	M12
160T-160M-160L	M16