



<b>VISP</b>	<b>96</b>
<b>VASP</b>	<b>100</b>
<b>Accessories</b>	<b>104</b>

**In-Line Fans**

**Axial-flow Fans Wall Versions**

**Axial-flow Fans Cased Versions**

**Roof Fans**

**Fans "ATEX"**

**Centrifugal Fans VISP/VASP**

**Centrifugal Fans**

**Side Channel Blowers**

**Chip Extractors**

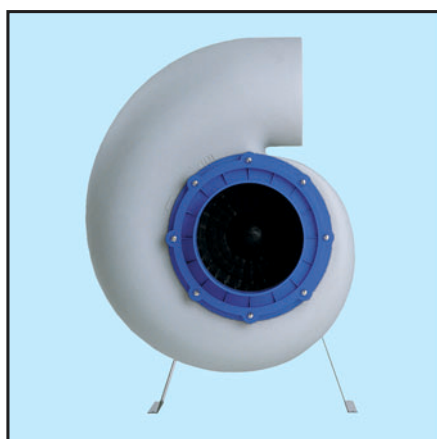
**Domestic Fans**

**Accessories**

**Electric Diagrams**

**General Information**

**Index**



**Construction**

Single inlet, direct driven centrifugal fan. Suitable for operation in corrosive applications including plating, fume handling, lab hood exhaust, etc. Casing made of single block strong high density UV treated and recyclable polypropylene (PPH) with no welded joint. Forward curved centrifugal type impeller made of injection molded PPH. Fan wheel supplied with motor shaft bushing and hub cap constructed of PPH. Wheels electronically and dynamically balanced to ISO1940. PPH casing and wheel recommended up to 80°C.

**Motor**

Direct drive, asynchronous, single or three phase, IP55. Single speed: three phase 120/400 V - 50/60 Hz, single phase 230 V - 50 Hz.

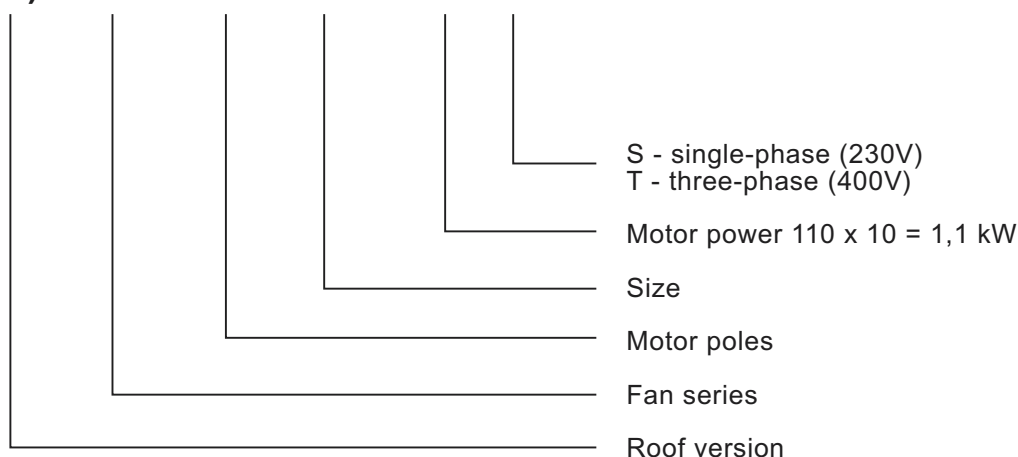
Explosion-proof motors available on request.

VISP series fans are also available in ATEX 3G execution in accordance with 94/9/EC ATEX regulation. Please contact us for more information.



**Model numbering system**

(R) VISP / 2 - 20 - 110 T



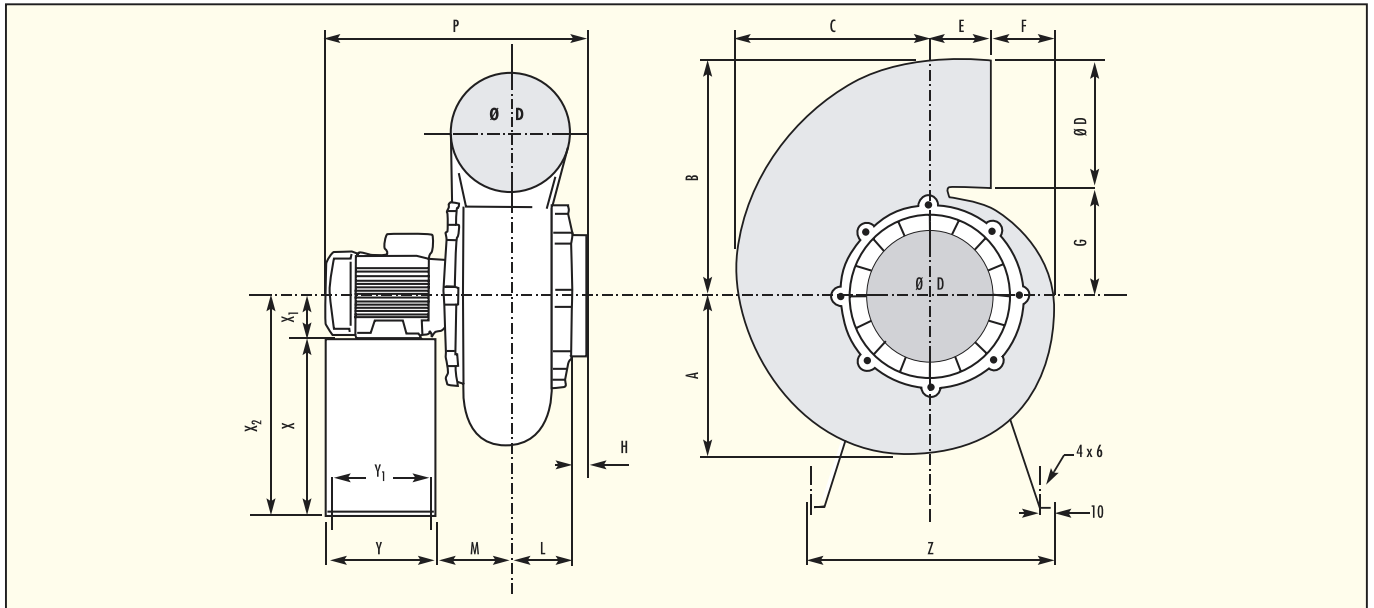
## Data

Type	Speed rpm	Motor power kW	Voltage V	Maximum current A	Maximum duty m³/h	Maximum static pressure Pa	Weight kg	Article number
VISP/6-15-018T	880	0,18	400	0,6	280	46	12	213195100
VISP/4-15-025T	1350	0,25	400	0,71	440	110	12	213195110
VISP/4-15-025S	1350	0,25	230	2,3	440	110	12,5	213195115
VISP/2-15-037T	2730	0,37	400	0,9	860	430	12,3	213195120
VISP/2-15-037S	2800	0,37	230	3,0	860	430	12,7	213195125
(R) VISP/6-20-018T	880	0,18	400	0,6	860	115	13	213195130
(R) VISP/4-20-025T	1350	0,25	400	0,71	1320	240	13,2	213195140
(R) VISP/4-20-025S	1350	0,25	230	2,3	1320	240	13,7	213195145
(R) VISP/2-20-075T	2770	0,75	400	1,7	1400	1040	20,5	213195150
(R) VISP/2-20-075S	2820	0,75	230	5,2	1400	1040	20,5	213195155
(R) VISP/2-20-110T	2770	1,1	400	2,45	1950	1040	21,7	213195160
(R) VISP/2-20-110S	2820	1,1	230	7,9	1950	1040	20,5	213195165
(R) VISP/6-25-018T	880	0,18	400	0,6	1550	150	16	213195170
(R) VISP/4-25-037T	1380	0,37	400	0,98	2410	370	16,5	213195180
(R) VISP/4-25-037S	1360	0,37	230	3,1	2410	370	17	213195185
(R) VISP/2-25-220T	2845	2,2	400	4,6	2000	1450	27,5	213195200
(R) VISP/2-25-300T	2835	3,0	400	6,5	3450	1450	29	213195210
(R) VISP/6-30-055T	900	0,55	400	1,65	3050	220	27	213195220
(R) VISP/4-30-150T	1420	1,5	400	3,4	4820	560	31,5	213195230
(R) VISP/4-30-150S	1400	1,5	230	9,3	4820	560	31,5	213195235
(R) VISP/8-35-150T	710	1,5	400	4,2	5500	280	59	213195240
(R) VISP/6-35-220T	955	2,2	400	5,4	7000	450	59	213195250
(R) VISP/4-35-550T	1450	5,5	400	10,9	8400	1090	74	213195260
(R) VISP/4-35-750T	1455	7,5	400	14,4	10100	1090	80	213195270

## Acoustic characteristics (R) VISP

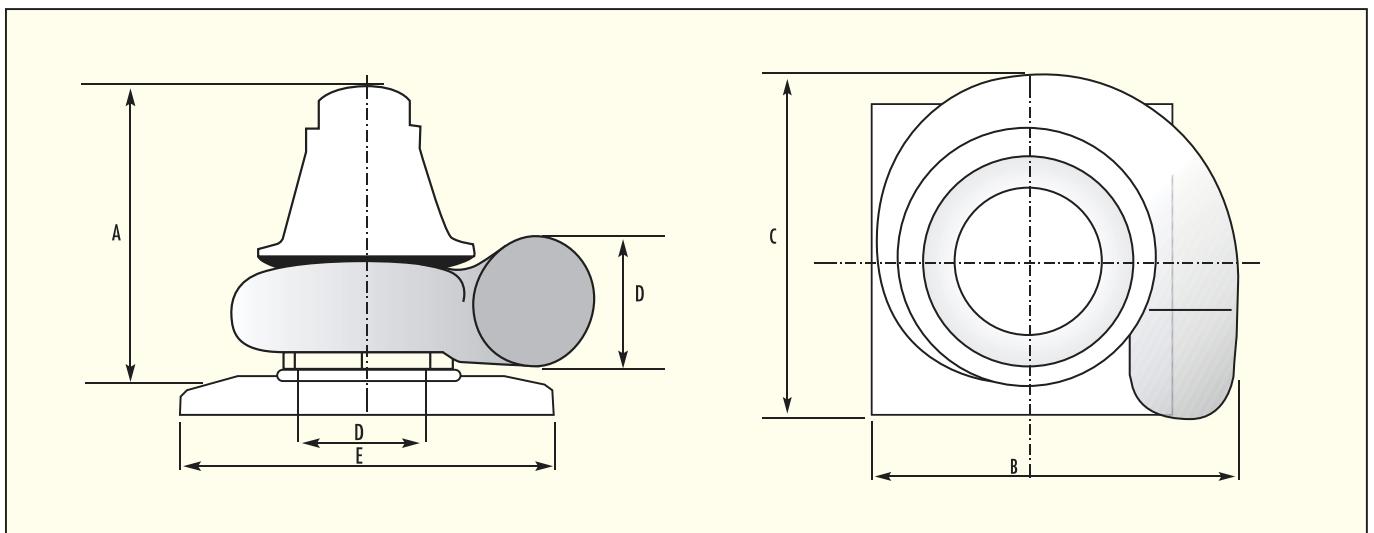
	VISP 15		VISP 20		VISP 25			VISP 30		VISP 35		
	point 1	point 2	point 1	point 2	point 1	point 2	point 3	point 1	point 2	point 1	point 2	
rpm	1450	1450	1450	1450	1450	1450	2870	1450	1450	1450	1450	
Flow	39	251	445	660	662	1330	3079	915	2481	6120	10080	
Static pressure	109	87	217	199	350	318	1046	552	477	750	625	
Frequency Hz	<b>125</b>	50,5	55,3	65,1	67,6	70,1	72,2	84	75,1	60,6	74,5	74,5
	<b>250</b>	51,6	51,7	64,9	65,3	70,8	70,6	86,9	76,5	68,5	68,2	72
	<b>500</b>	52,7	52,1	63,8	64,8	70,1	72,1	85	76,9	75,5	68,4	76,1
	<b>1000</b>	46,8	49,8	61	61,9	69,8	70,5	87,2	73,2	74,2	67,4	75,5
	<b>2000</b>	39,2	41,8	52,3	53	59,8	62,1	82,3	68,5	71	61,2	70,9
	<b>4000</b>	32,8	36,9	50,6	51,33	54,7	59,2	79,6	63,9	66,7	61,3	71,4
Lw (dB)	57	58,9	70,1	71,5	76,4	77,7	92,7	82	79,5	82,4	87,9	
Lw (dBA)	52,2	53,7	65,3	66,2	72,7	73,9	90,6	78,2	78,4	77,3	86	

Dimensions in mm



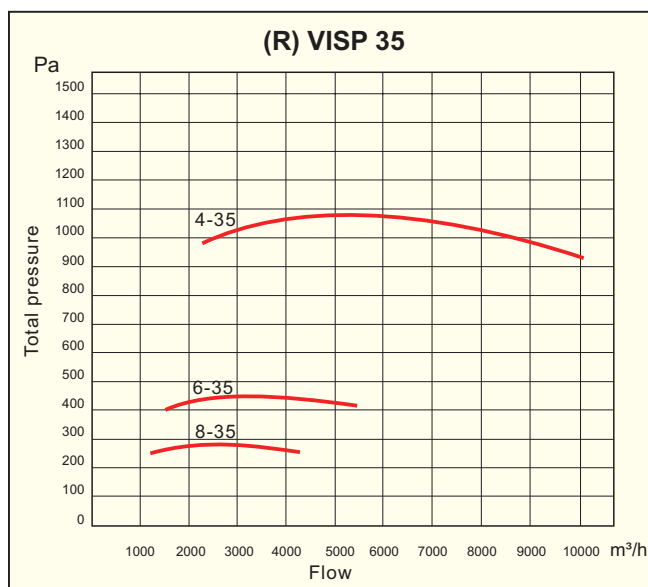
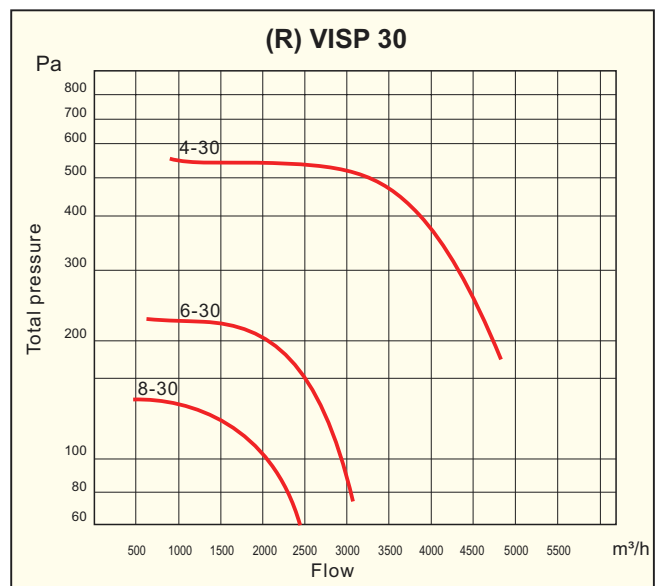
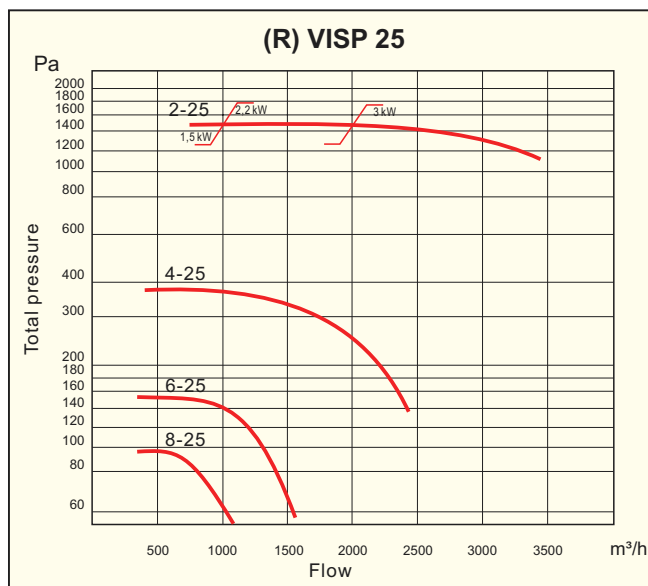
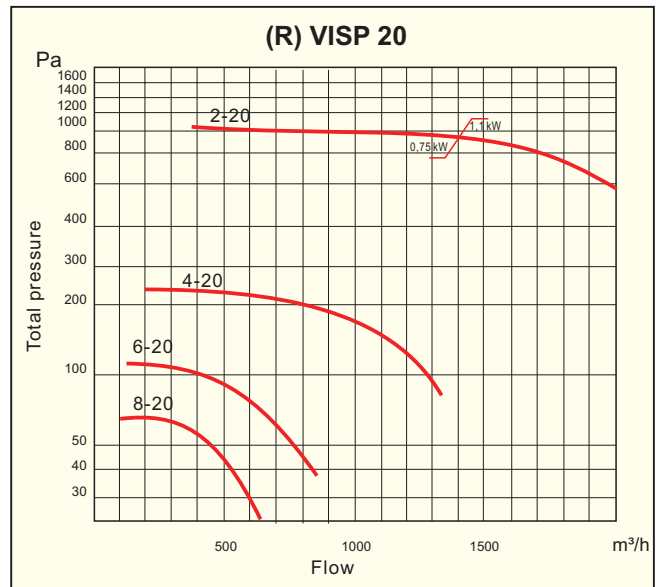
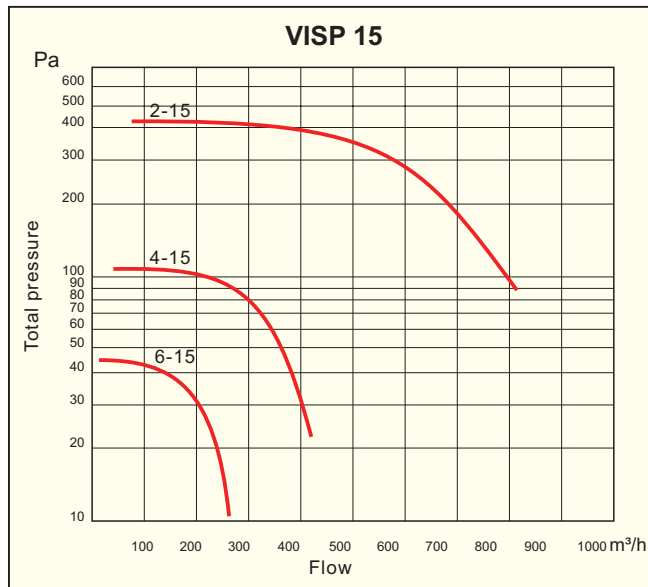
VISP	Type	A	B	C	D	E	F	G	H	L	M	P	Y	Y1	Z	X	X1
	15	170	240	203	125	100	32	115	30	70	80	360	180	160	340	240	71
	20	208	303	240	160	100	57	143	32	84	94	390	180	160	340	240	71/80*
	25	248	365	310	200	103	92	165	35	95	105	415	180	160	420	300	71/90*
	30	300	450	373	250	117	112	198	35	110	120	505	240	220	460	270	80/90*
	35	370	570	450	315	130	170	255	60	150	170	730	350	314	600	468	112

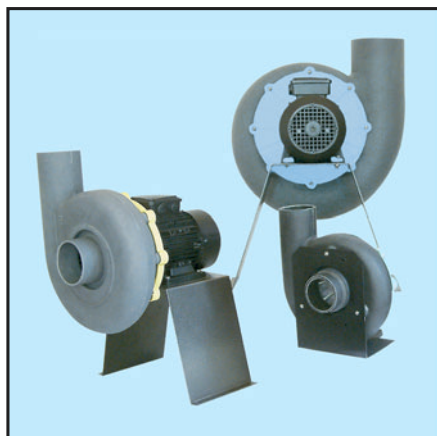
\* - Depends on selected motor size



RVISP	Type	A	B	C	D	E
	20	460	590	555	160	547x547
	25	500	640	590	200	547x547
	30	600	750	650	250	547x547
	35	880	950	850	315	700x700

Performance curves



**NOWOŚĆ****Construction**

Single inlet, direct driven centrifugal fan. Suitable for ventilation of safety cabinets, scrubbers, fume capture arm, filter housing, etc.

Casing made of single block strong high density UV treated and recyclable polypropylene (PPH) with no air leakage. All fan mounting hardware is stainless steel. Forward curved centrifugal type impeller made of injection molded PPH. Fan wheel supplied with motor shaft bushing and hub cap constructed of PPH. Wheels electronically and dynamically balanced. LG/CCW rotation only. PPH casing and wheel recommended up to 80°C.

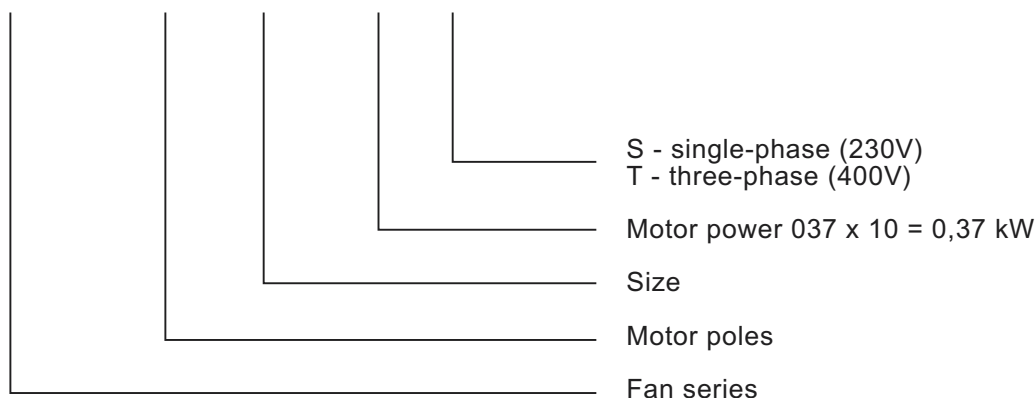
**Motor**

Direct drive, asynchronous, single or three phase, IP55. Single speed: three phase 230/400 V- 50/60 Hz, single phase 230 V - 50 Hz. Explosion-proof motors available on request.

VASP series fans are also available in ATEX Zone II, category 3G execution in accordance with ATEX regulation 94/9/CE. Please contact us for more information.

**Model numbering system**

**VASP - 2 - 12 - 037 T**

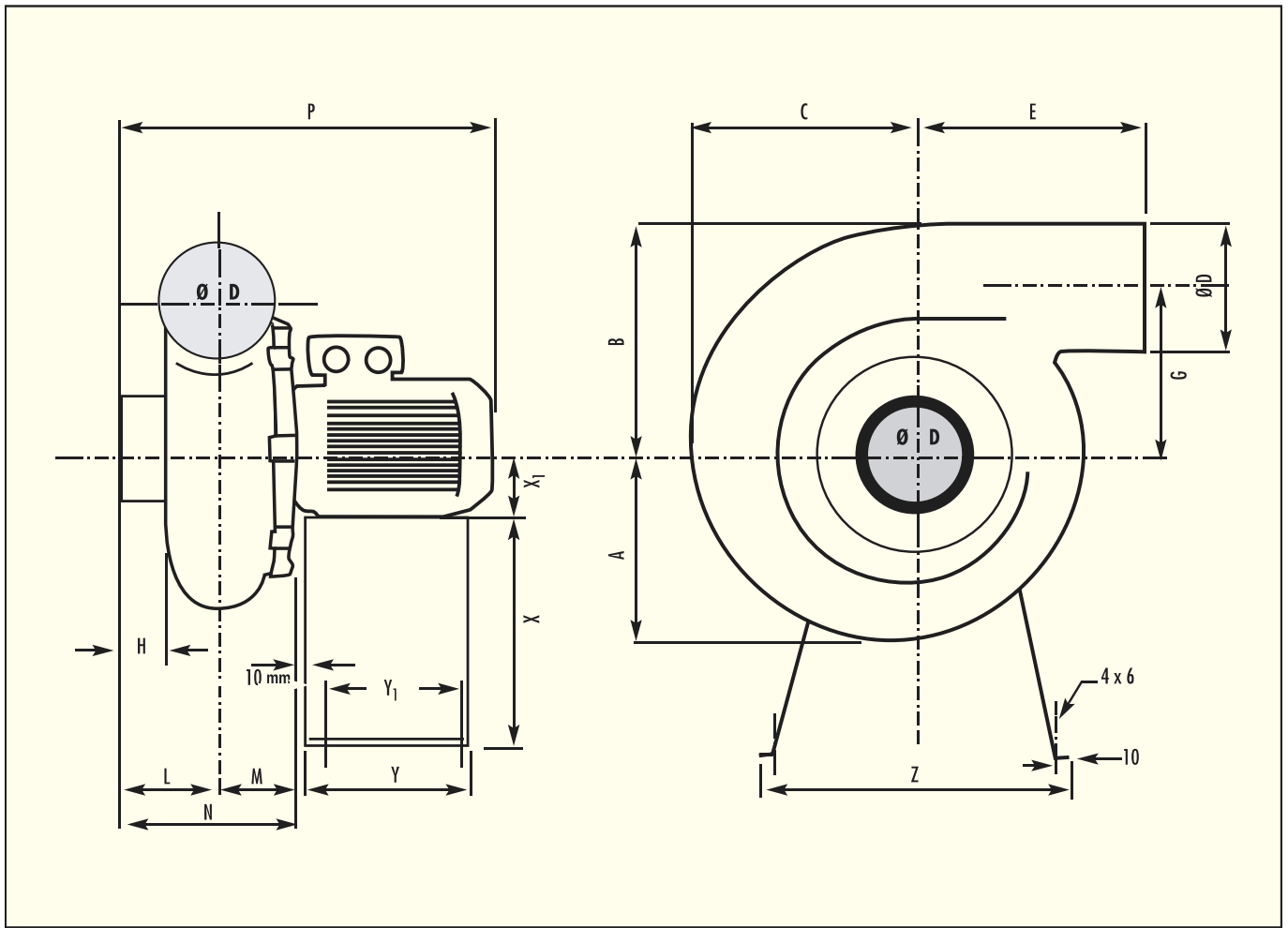


## Data

Type	Speed rpm	Motor power kW	Voltage V	Maximum current A	Maximum duty m <sup>3</sup> /h	Static pressure Pa	Weight kg	Article number
VASP/4-10-006T	1400	0,06	400	0,25	80	110	5	213195500
VASP/4-10-006S	1410	0,06	230	0,53	80	110	6	213195505
VASP/2-10-012T	2800	0,12	400	0,32	180	420	5,5	213195510
VASP/2-10-012S	2860	0,12	230	1,0	180	420	5,5	213195515
VASP/4-12-025T	1380	0,25	400	0,85	270	220	11,5	213195520
VASP/4-12-025S	1350	0,25	230	2,3	270	220	12	213195525
VASP/2-12-037T	2800	0,37	400	1,0	530	830	12	213195530
VASP/2-12-037S	2800	0,37	230	3,0	530	830	12	213195535
VASP/2-14-110T	1415	1,1	400	2,7	1080	1350	21,5	213195540
VASP/2-14-110S	1380	1,1	230	7,5	1080	1350	21,5	213195545
VASP/2-16-220T	2845	2,2	400	4,6	1850	2010	28	213195550

## Acoustic characteristics VASP

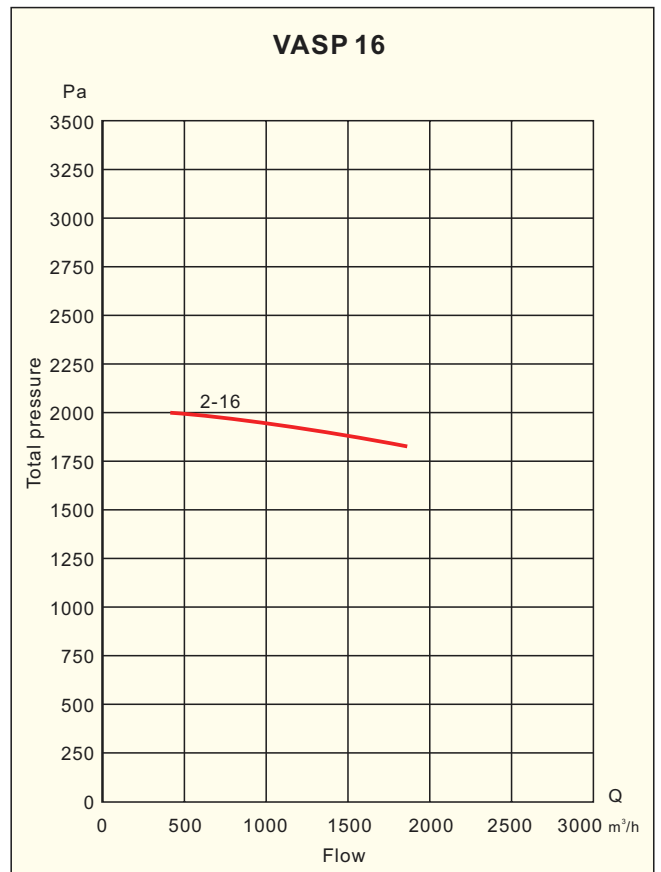
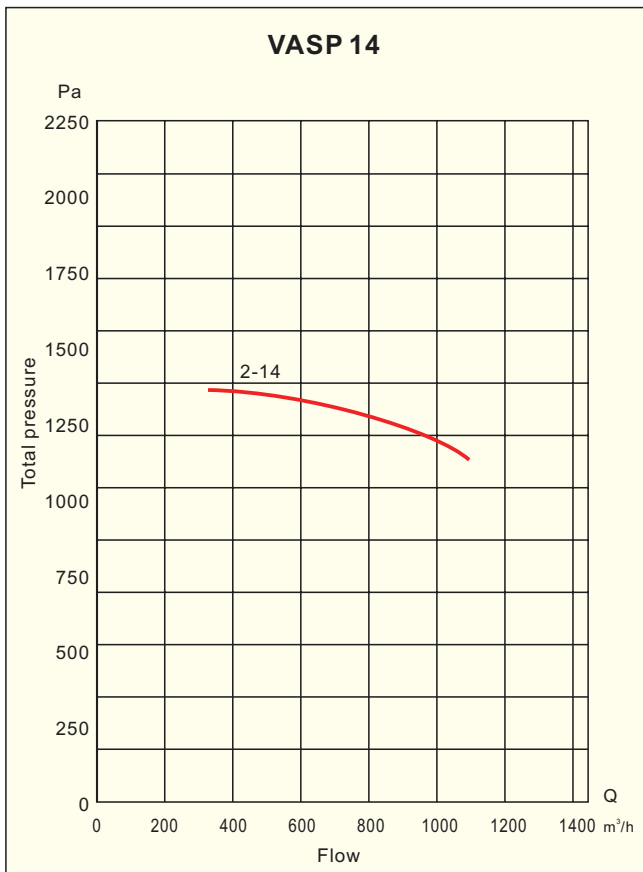
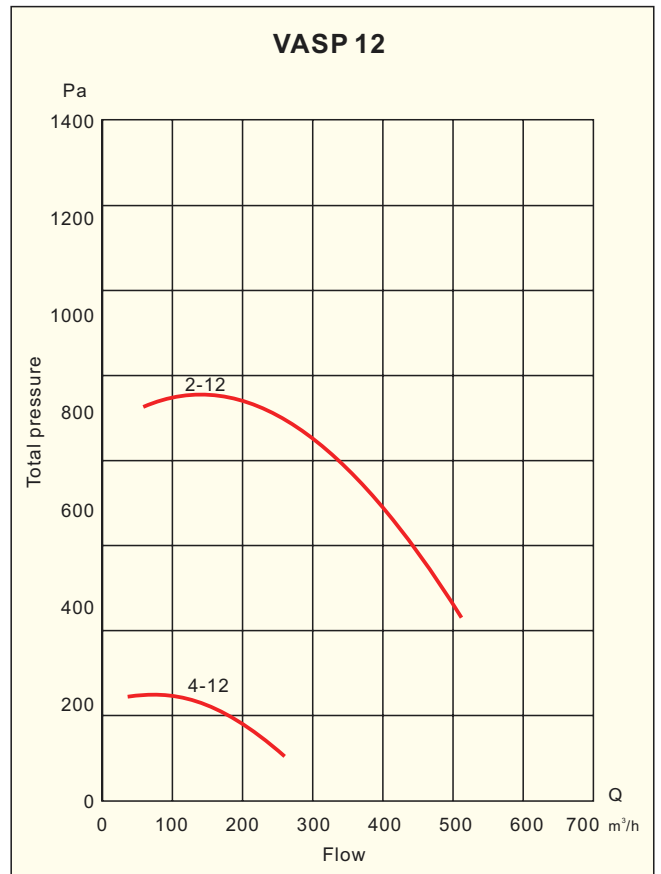
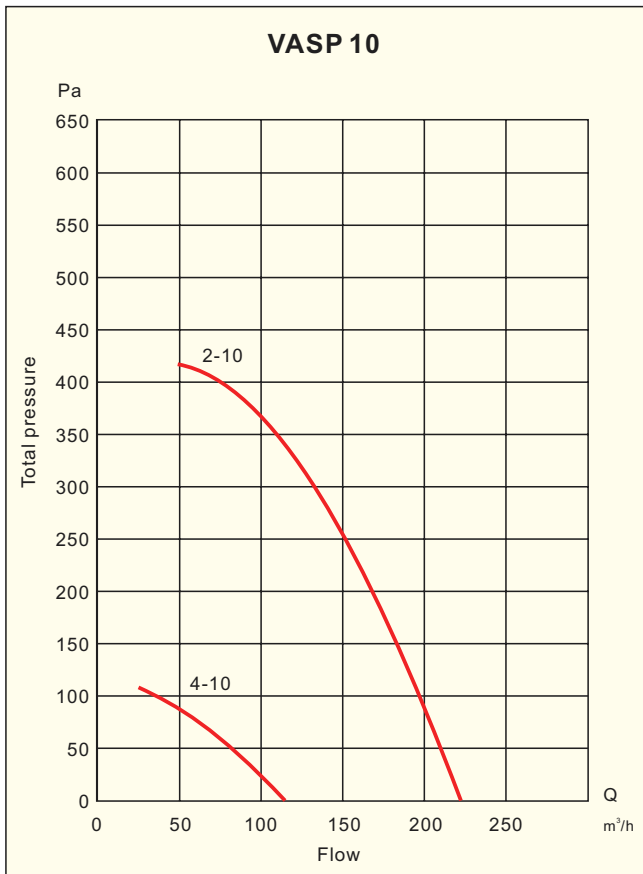
		VASP 10		VASP 12		VASP 14		VASP 16	
		point 1	point 2	point 1	point 2	point 1	point 2	point 1	point 2
Speed [rpm]		1435	2870	1450	2850	1450	2850	1450	1450
Flow [m <sup>3</sup> /h]		58	116	233	458	538	1057	906	2481
Total pressure [Pa]		96	386	208	805	400	1547	585	477
		Lw(dB)	Lw(dB)	Lw(dB)	Lw(dB)	Lw(dB)	Lw(dB)	Lw(dB)	Lw(dB)
Frequency Hz	50			79,9	92,5	81,5	104,7	85,5	107,9
	100			71,9	88,5	76,9	90,2	87	94,2
	250	49,8	66,9	63,6	76,4	74,7	87,3	74,3	94
	500	45,2	64,8	66,4	72,6	69,1	84,1	70,9	84,1
	1000	49,8	60,3	55,7	76,4	61,4	80	69,2	83,4
	2500			47,7	63,3	54,6	71,8	62,9	80,3
	5000			43,3	62,4	50	69,3	57,8	77,5
	10000			41,4	58	48,3	64,7	49,7	72,5
Lw (dB)		61,6	80,8	83,9	98,1	87,3	105,8	93,6	110
Lw (dBA)		52,3	69,7	71,7	85,8	75	89,8	78,3	94,8

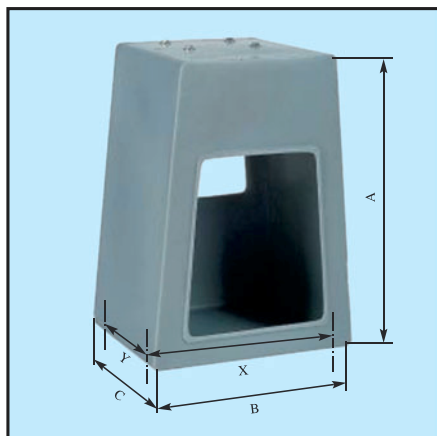


**Dimensions in mm**

VASP		A	B	C	D	E	G	H	L	M	N	P	Y	Y <sub>1</sub>	Z	X	X <sub>1</sub>
	<b>10</b>		115	135	127	75	158	97	32	48	57	137	295	12	100	165	135
<b>12</b>		145	175	163	90	212	130	45	80	72	152	350	180	160	340	240	71
<b>14</b>		188	232	227	125	218	170	55	110	83	193	433	180	160	340	240	80
<b>16</b>		235	288	278	160	262	205	40	100	97	197	477	240	160	420	300	90



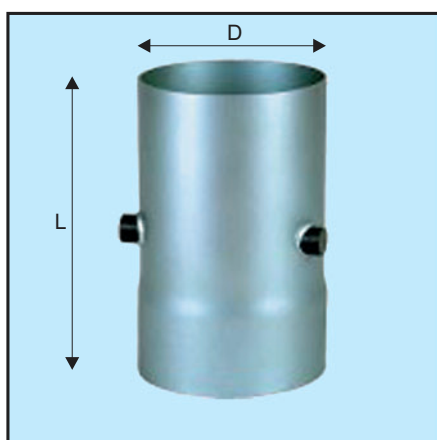
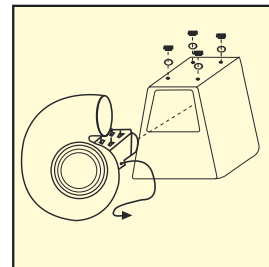




**Motor protection stand PO**

**Dimensions in mm**

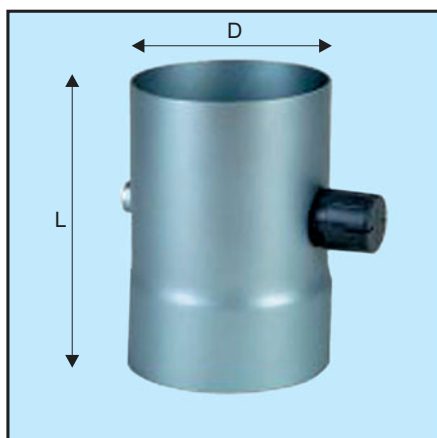
	Type	A	B	C	X	Y
VISP 15,20, VASP 10,12	350	350	395	320	260	250
VISP 25-4,6P, VASP 14	450	450	330	260	260	200
VISP 25-2P,30, VASP 16	550	550	400	365	330	300
VISP 35	700	715	585	505	520	430



**Clapper valve C**

**Dimensions in mm**

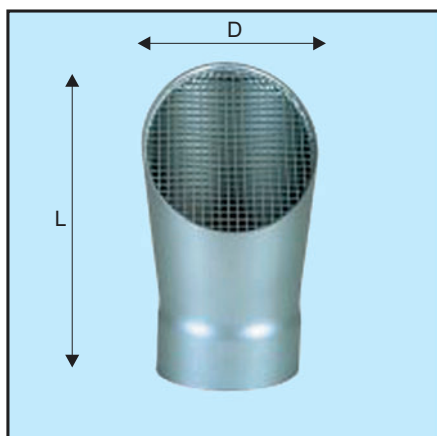
L	D
125	220
160	260
200	270
250	315
315	350



**Adjustable damper AD**

**Dimensions in mm**

L	D
125	190
160	205
200	220
250	225
315	230



**Exhaust cap EC**

**Dimensions in mm**

L	D
125	190
160	205
200	220
250	225
315	