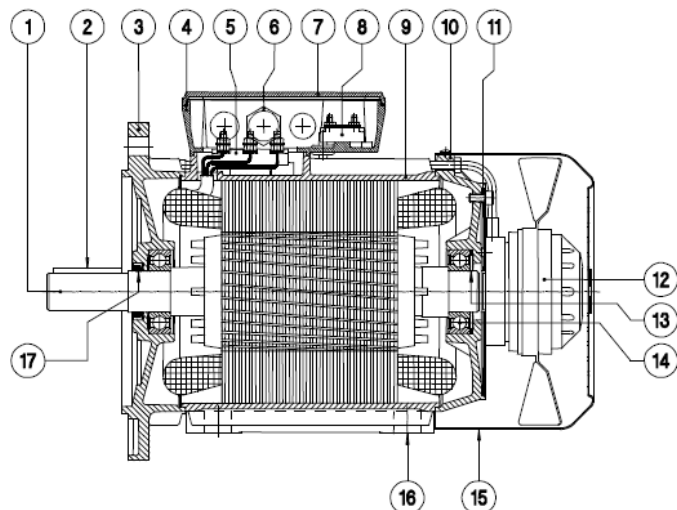


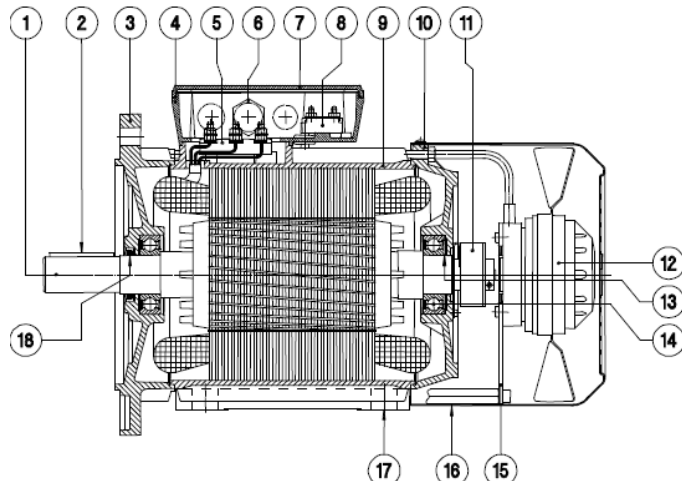
MOTOR SERVOENTILAT SERIA TMV



1 – Rotor 2 – Pana 3 – Flansa 4 - Cutia de borne 5 - Sir de cleme 6 - Presetupa intrare cabluri 7 - Capac cutie borne 8 - Sir de cleme 9 - Carcasa motor 10 - Scut posterior 11 – Suport electroventilator 12 – Electroventilator 13 - Inel de compensare 14 – Rulment 15 - Capac ventilator 16 - Picioare de fixare 17 - Inel V-Ring.

GABARIT MOTOR SIZE	TIP ELECTROVENTILATOR AUXILIARY FAN TYPE	ALIMENTARE SUPPLY V	PUTEREA ELECTROVENTILATORULUI AUXILIARY FAN POWER W	CONSUM ABSORPTION A
TMV63-TMV71	4656-EZ	230/50Hz Mon.	19	0.115
TMV80-TMV90S/L	A2S130-AA03-01	230/50Hz Mon.	45	0.25
TMV100S-TMV112T/M	A2D170-AA04-01	400/50Hz Trif.	43	0.12
TMV112VM	A2D200-AA02-01	400/50Hz Trif.	68	0.17
TMV132T/TT-TMV160T	A2D200-AA02-01	400/50Hz Trif.	95	0.18
TMV160M/L-TMV180M/L	A2D300-AD02-01	400/50Hz Trif.	180	0.31

MOTOR SERVOENTILAT CU ENCODER SERIA "TMVE"



1 – Rotor 2 – Pana 3 – Flansa 4 - Cutie de borne 5 - Sir de cleme 6 - Presetupa intrare cabluri 7 - Capac cutie borne 8 - Sir de cleme 9 - Carcasa motor 10 - Scut posterior 11 – Encoder 12 – Electroventilator 13 - Inel de compensare 14 – Rulment 15 - Suport electroventilator 16 - Capac ventilator 17 - Picioare de fixare 18 - Inel V-Ring